

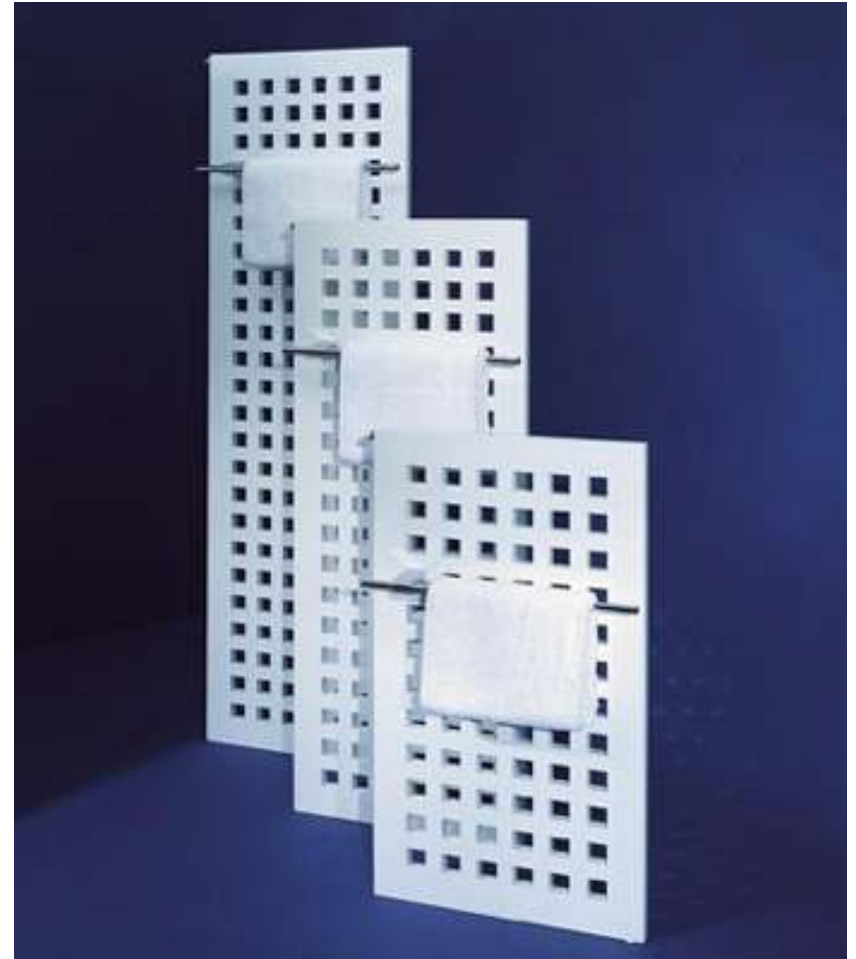
TOWEL RADIATORS

[B2 Towel]

Precise, mathematical proportions, with the addition of a gleaming chrome rail, create a dramatic, architectural feature combining classic and contemporary style. Additional towel rails can be purchased. All sizes usually kept in stock in the following finishes: White and Aluminium

Specifications

Models Available	3
Materials	Steel
Standard Colours	White and Aluminium
Delivery Information	Standard Colour : up to 10 working days Colour option : up to 30 working days
Guarantee	5 years
Output Range	610 - 1082W
Connections	1/2 BSP



[Outputs: 90/70/20 Δt 60°C EN442]

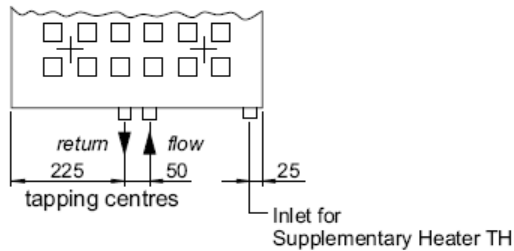
[Dimensions in millimetres]



2 Grand Parade Polegate East Sussex BN26 5HG
Telephone: +44 (0)1323 486848
info@radiatorcentre.com www.radiatorcentre.com

TOWEL RADIATORS

[B2 Towel]



Connection detail for Type BIST/TH

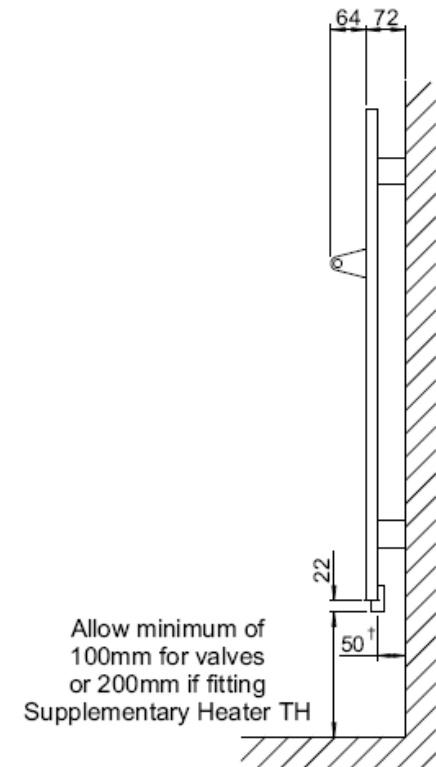
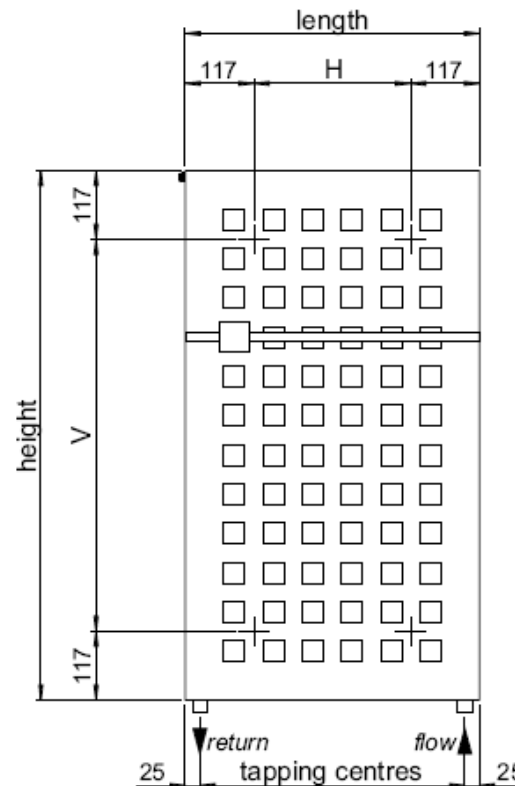
All dimensions shown are in millimetres

- Test pressure: 5.2 BAR
- Max working pressure: 4 BAR
- Max working temperature: 100° C
- All steel construction: 1.5mm panel thickness
- Connections: ½ inch BSP underside tappings

Not for use on domestic hot water system

Heat output determined in accordance with EN 442

Reg. Number 6R0263 (horizontal) , 6R0264 (vertical)



Model	Output $\Delta T=50K$ Watts	Output $\Delta T=60K$ Watts	n	Water Content litres	Weight kg	Height $\pm 2mm$	Length $\pm 2mm$	Tapping Centres $\pm 2mm$	Fixing Centres V $\pm 2mm$	H
BIST 90-50	481	610	1.30	5.9	14	900	500	450	666	266
BIST 130-50	665	844	1.31	8.5	20	1300	500	450	1066	266
BIST 170-50	852	1082	1.31	11.2	26	1700	500	450	1466	266



2 Grand Parade Polegate East Sussex BN26 5HG
Telephone: +44 (0)1323 486848
info@radiatorcentre.com www.radiatorcentre.com

[Outputs: 90/70/20 Δt 60°C EN442]

[Dimensions in millimetres]