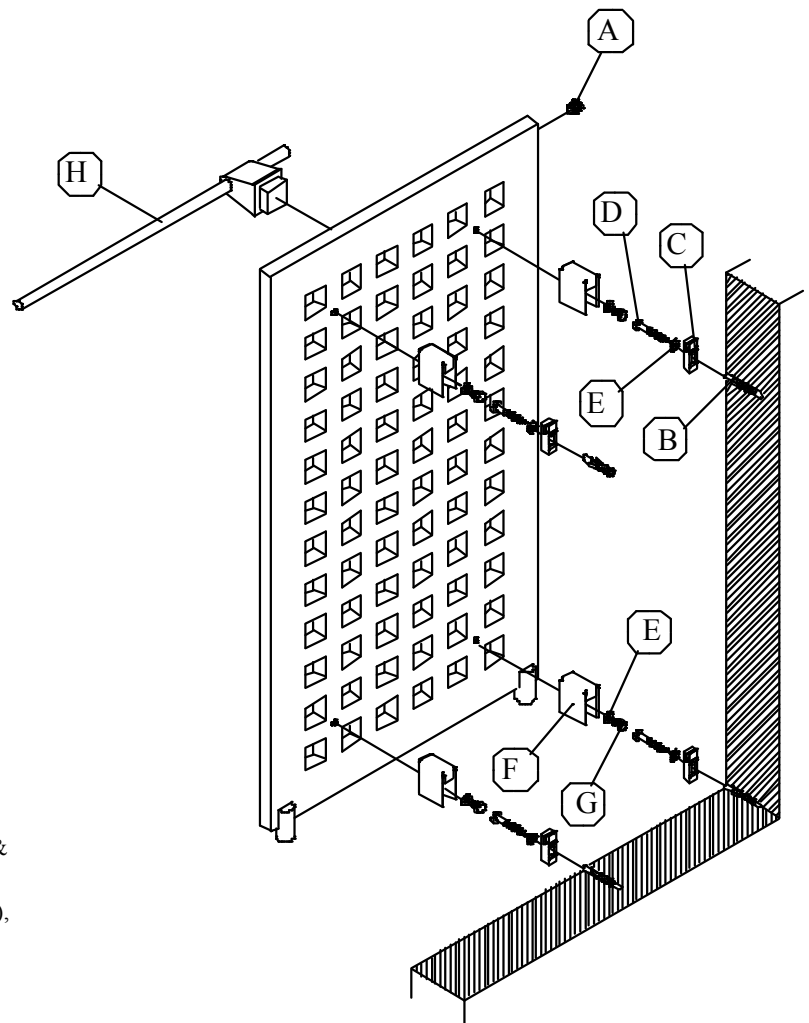
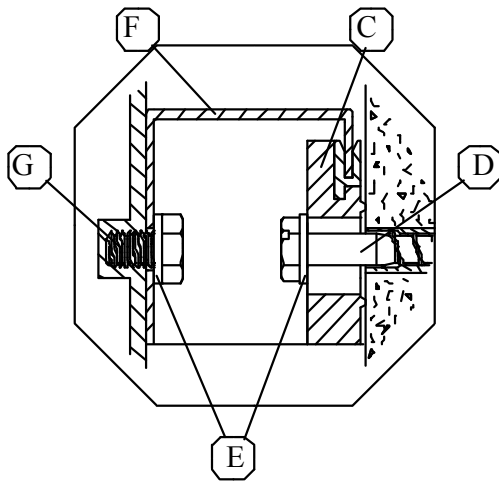


## Tools & Material Required

Suitable valves  
 PTFE tape  
 Silicone thread sealant  
 Tape measure  
 Allen key - 13mm & 12mm (when installing Bisque valves)  
 Spanner - 14mm & 22mm  
 Socket driver - 13mm  
 Screwdriver - large flathead  
 Electric drill  
 Masonry drill bit - 10mm diameter  
 Spirit level  
 Stepladder (for taller radiators)

## Key Component Qty

A Air Vent - 1/4"	1
B Wall Plug	4
C Bracket - Alloy	4
D Screw - Hex Head, 7mm dia x 55mm	4
E Washer	8
F Bracket - Box Section	4
G Screw - Hex Head, M8 x 12mm	4
H Towel Rail	1
I Air Vent Key	1



## Assembly Instructions

If radiator is to be fitted with Supplementary Heater EM, Supplementary Heater must be fitted first as there may be insufficient clearance to fit later.

(Refer to Supplementary Heater fitting instructions)

**Sufficient PTFE tape must be applied to valve-tail threads prior to their installation.**

Silicone thread sealant should be applied to all threaded components manufactured with 'O-rings'.

Fit valve tails, using correct size Allen key.

Fit air vent (A).

Accurately mark out bracket holes on wall using spirit level, to dimensions as shown on Technical Data Sheet.

Drill four 10mm diameter holes to a minimum depth of 65mm & insert wall plugs (B). Screw alloy brackets (C) into wall plugs (B) with 7mm diameter x 55mm screws (D) & four washers (E), ensuring that the nylon clips are uppermost & facing wall and that alloy brackets (C) are levelled horizontally.

Attach bracket (F) to radiator with M8 x 12 screws (G) & washers (E).

Hang radiator & bracket (F) assembly onto alloy brackets (C).  
 Fit towel rail (H).

Plumb radiator to heating circuit with flow opposite air vent.