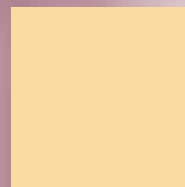
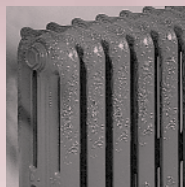


exclusive
TRADITIONAL

from The Radiator Centre

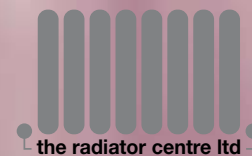
centurion



VICTORIAN STYLED CAST
IRON COLUMN RADIATORS



2 Grand Parade Polegate East Sussex BN26 5HG Telephone: 3 lines: +44 (0)1323 486848



The stunning Victoriana Centurion cast iron column radiator blends with the period setting while providing modern comfort heating. For period properties and traditional furnishing styles, the Centurion cast iron column radiator from The Radiator Centre is the perfect heat emitter. Its scrolled relief patterns and Victoriana looks transform the Centurion from humble radiator to stunning reproduction centrepiece, making it unnecessary to hide or conceal the heating system. Where the period setting includes highly-prized panelling, the free-standing Centurion will avoid damage to the wall. Centurion is supplied in an attractive umber grey primer RAL 7022 finish which will complement most colour schemes, although it can also be painted. It is perfect either for new heating systems or for replacing outdated or antique radiators with the minimum disruption to existing installations.



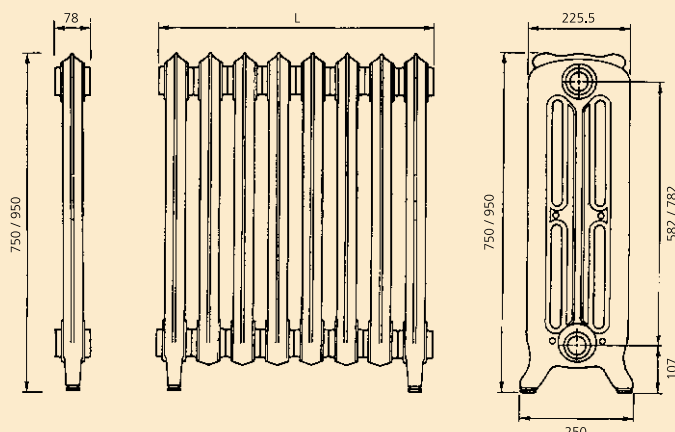
The Centurion is available in two heights of 750mm and 950mm, which fits neatly below standard dado rail positions. Assembled radiators can be delivered to site in lengths comprising from 3 to 15 sections*. Further sections may be assembled on site for longer finished radiators. Each radiator is supplied complete with plugs, bushes and vents with a choice of 1/2", 3/4" or 1" connections. To complete the traditional styling, solid brass Chartwell radiator valves may be purchased in a choice of 15mm or 3/4" connection sizes or the 15mm Belgravia cross head valve in chrome or gold to provide a completely authentic ensemble. Centurion radiators have a maximum working pressure of 4 Bar, and carry a 10 year guarantee against manufacturing defects.

* 15 Sections on 950 high



Single Section Output/Dimensions

Height	mm	750	950
	ins	29.52	37.40
Centres	mm	582	782
	ins	22.91	30.78
Section Width	mm	78	78
	ins	3.07	3.07
Depth	mm	250	250
	ins	9.84	9.84
Water Volume per Section	lit	2.3	2.8
	gal	0.50	0.62
Dry Weight per Section	kg	11.33	14.4
	lbs	24.93	31.68
Heat Output per Section	watts	182.5	231.2
	Btu/hr	623	788
Heat Output per Section En 442 75-65-20°C	watts	137.8	182.4
	Btu/hr	470	623
Maximum Factory Assembled Lengths		15	15



Multiple Section Outputs/Watts 90/70/20°C

Sections	L - Length mm	Output 750 High	Output 950 High
3 Section	234	548	694
4 Section	312	730	925
5 Section	390	913	1156
6 Section	468	1095	1387
7 Section	546	1278	1618
8 Section	624	1460	1850
9 Section	702	1643	2080
10 Section	780	1825	2312
11 Section	858	2007	2543
12 Section	936	2190	2775
13 Section	1014	2373	3006
14 Section	1092	2555	3237
15 Section	1170	2736	3468

Further lengths are possible by joining sections.

Thermal Output

The correction factor table below is provided to allow the designer to calculate actual heat emitter output, and is applicable to the above quoted 90/70/20°C outputs per section. For correction factor tables relevant to EN442 outputs contact. 01323 486848

°C	Factor	°C	Factor
5	0.046	45	0.700
10	0.108	50	0.798
15	0.179	55	0.898
20	0.256	60	1.000
25	0.338	65	1.104
30	0.423	70	1.211
35	0.512	75	1.319
40	0.605		

