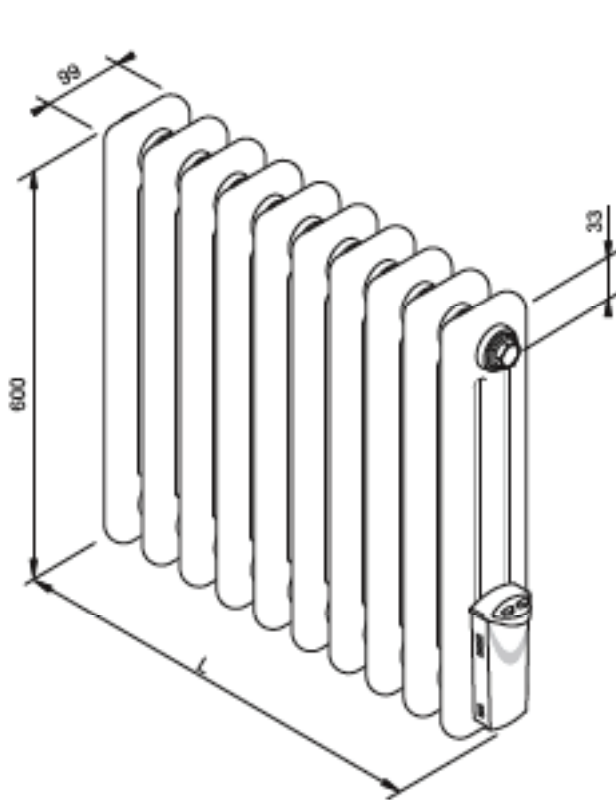
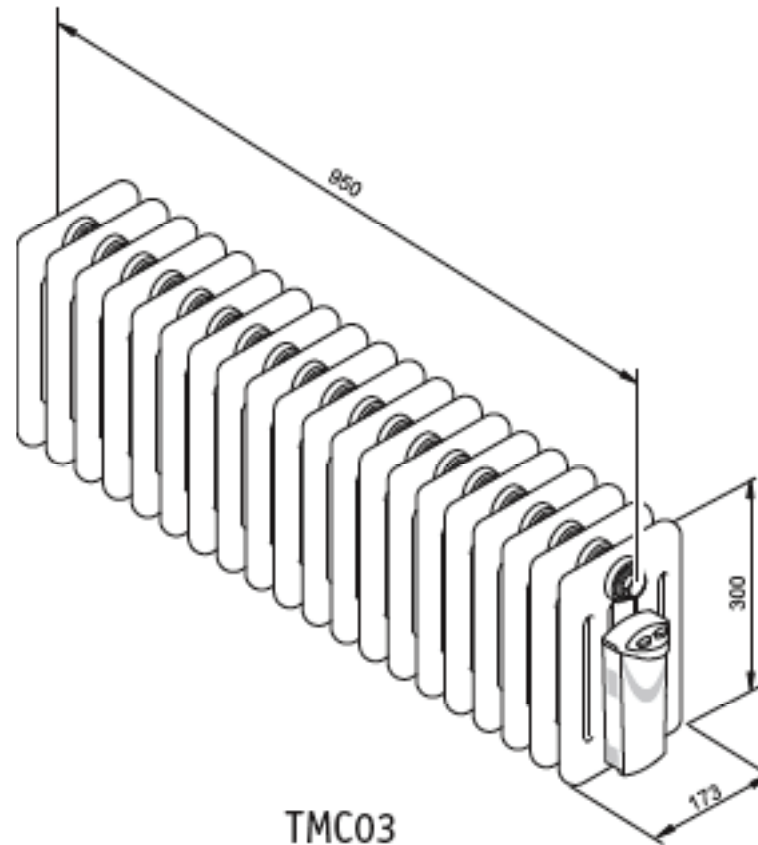


Ardingly



TMC06

Ardingly TMC06
Height 600 mm
Width range: 530 -1312 mm
Output range: 500 - 2000 watts



TMC03

Ardingly TMC03
Height 300mm + 110mm for optional legs
Width range: 995 mm
Output 1000 watts

How do they work?

The oil-filled radiator is fitted with an electric immersion heater and operates on the same principle as a centrally heated radiator - the circulation of heated liquid. In an electric radiator, the liquid flows around the radiator naturally without having to be pumped, releasing warmth into the surrounding air as it passes through the tubes. The immersion heater continues to operate and heat the liquid to the set temperature until no longer required by the user. The sensations of warmth are identical to those given off by centrally heated radiators, because the principle is the same: the circulation of liquid.

With what liquid are electric radiators filled?

Our electric radiators and towel rails are filled with a specific high performance mineral oil. The radiators are filled in the factory under a controlled process, with a quantity of oil specifically adapted to the radiator and the size of the dimensions of the immersion heater.

The mineral oil has the following qualities :

- Excellent fluidity for perfect circulation in the radiators
- Excellent thermal qualities to give off heat over a long period of time
- Stable thermal-conductor properties guaranteed throughout the life span of the radiator, not requiring maintenance or replacement
- Bio-degradable to facilitate environmentally friendly recycling

