

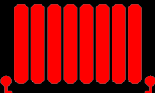
Pipe Centres = Width + valve centres
 ie: Width + 80mm with Standard RadCen Valves
 Please note the flow is on the left

CODE	Height	Width	Depth	Proj	Power	C2	C3	Dry Weight	Water Content
VS	(mm)	(mm)	(mm)	(mm)	Watts	(mm)	(mm)	(kg)	(ltrs)
VS2/2	1600	550	32	55	637	31	550	23.2	21.3
VS3/3	1600	710	32	55	968	31	710	28.2	32
VLS2/2	1600	550	64	75	855	49	550	30.2	21.3
VLS3/3	1600	710	64	75	1282	49	710	40.4	32

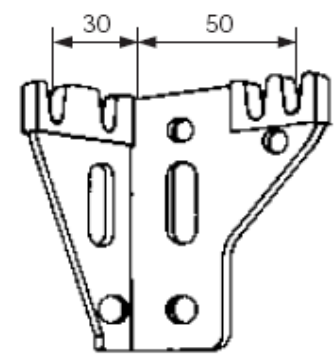
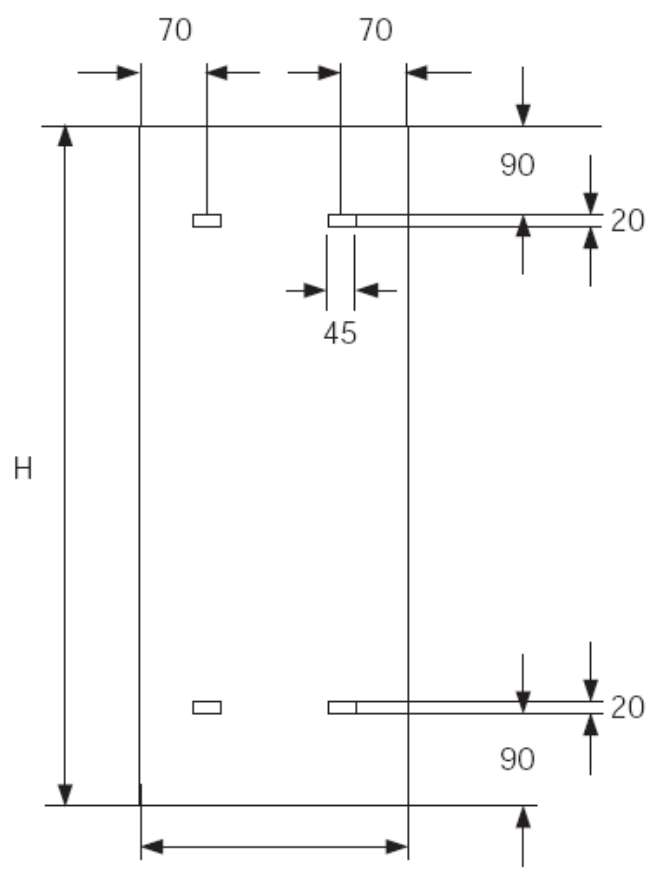
[Outputs: 90/70/20 Δt 60°C EN442]

[Dimensions in millimetres]

Radiator Centre Ltd : 2 Grand Parade, Polegate, East Sussex, BN26 5HG
 WWW.radiatorcentre.com : info@radiatorcentre.com : Tel 01323 486848 : Fax 01323 486687



Fixing positions



Wall Bracket – Horizontal & Vertical Models

Fixed position at
 30mm and 50mm
 117/L = Left hand bracket
 117/R = Right hand bracket

[Outputs: 90/70/20 Δt 60°C EN442]

[Dimensions in millimetres]

Radiator Centre Ltd : 2 Grand Parade, Polegate, East Sussex, BN26 5HG
 WWW.radiatorcentre.com : info@radiatorcentre.com : Tel 01323 486848 : Fax 01323 486687