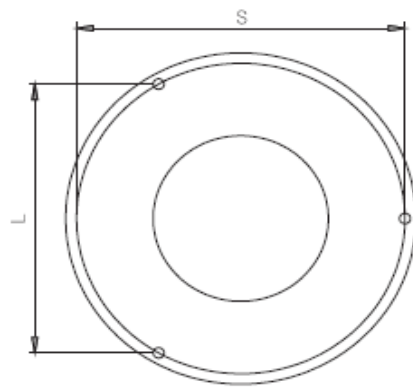
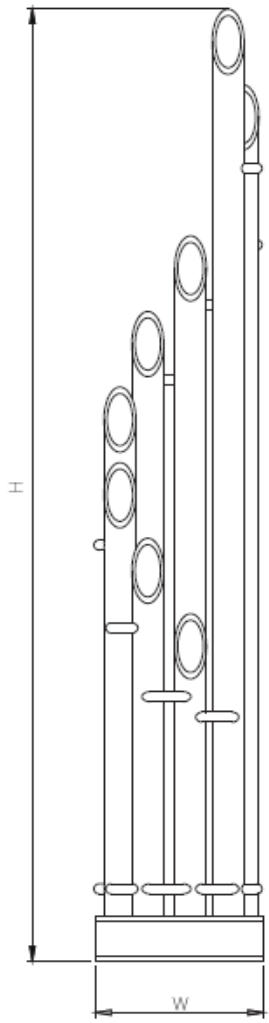
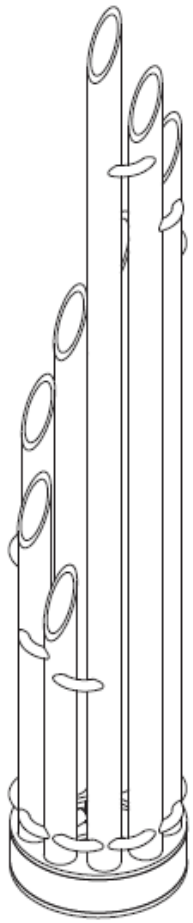




CODE	Height (mm)	Width (mm)	Depth (mm)	Centres C (mm)	Bracket Centres (L)	Bracket Centres (S)	Dry Weight (kg)	Water Content (ltrs)	Power (watts)
UNQ036019000909	1900	360	360	50	340	295	50.5	8.2	3696

Connections Detail



material	finish	electric version
<i>stainless steel</i>	<i>satin polished</i>	<i>not available</i>

wall installation	warranty
<i>floor standing</i>	<i>10 years</i>

*max. working pressure: 8 bar
max. working temperature: 95°C
all dimensions are in mm.
connections 1/2"*

Unique Technical Detail : RC/PW/01.11

[Outputs: 90/70/20 Δt 60°C EN442]

[Dimensions in millimetres]

Radiator Centre Ltd : 2 Grand Parade, Polegate, East Sussex, BN26 5HG
 WWW.radiatorcentre.com : info@radiatorcentre.com : Tel 01323 486848 : Fax 01323 486687