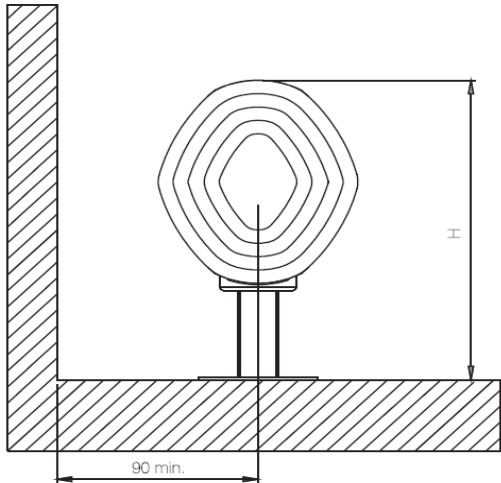
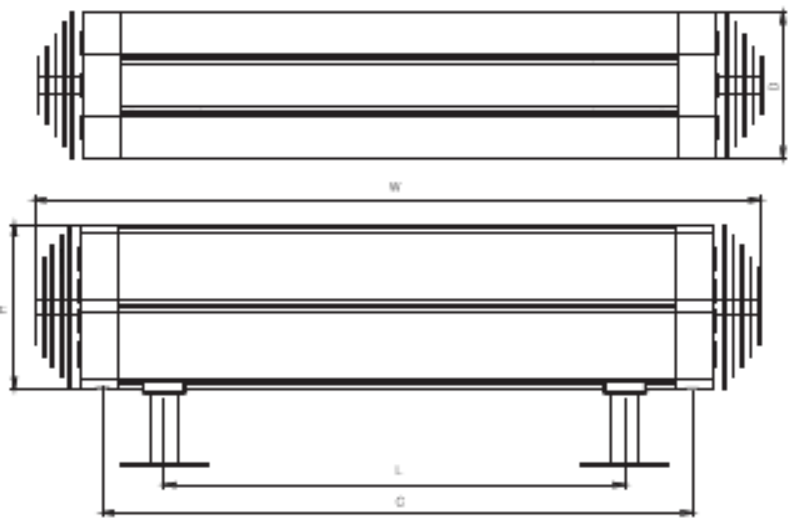




CODE	Height (mm)	Width (mm)	Depth (mm)	Projection (mm)	Connection centres C	Bracket centres (l)	Bracket centres (s)	Dry Weight (kg)	Water Content (ltrs)	Power (watts)
Torpedo										
TRP1000033006	330	1000	200	200	810	520	--	26.1	4.7	1477
TRP1500033006	330	1500	200	200	1310	1020	--	33.6	5.5	2084

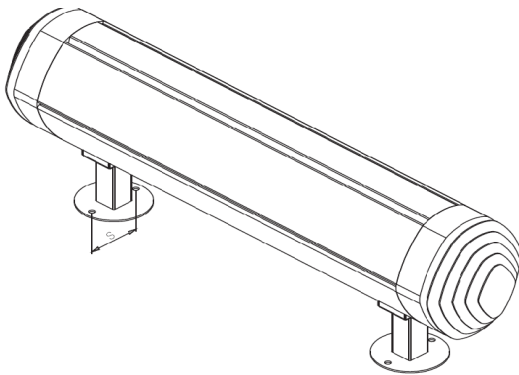
Connections Detail



material	finish	electric version
stainless steel aluminium	anodized	not available

wall installation	warranty
floor standing	5 years

max. working pressure: 8 bar  
 max. working temperature: 95°C  
 all dimensions are in mm.  
 connections 1/2"



Torpedo Technical Detail : RC/PW/01.11

[Outputs: 90/70/20 Δt 60°C EN442]

[Dimensions in millimetres]

Radiator Centre Ltd : 2 Grand Parade, Polegate, East Sussex, BN26 5HG  
 WWW.radiatorcentre.com : info@radiatorcentre.com : Tel 01323 486848 : Fax 01323 486687