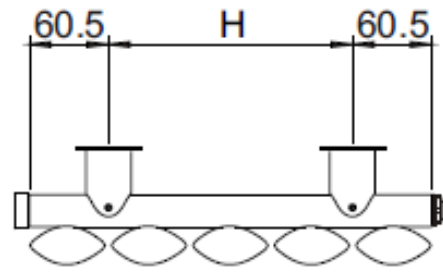
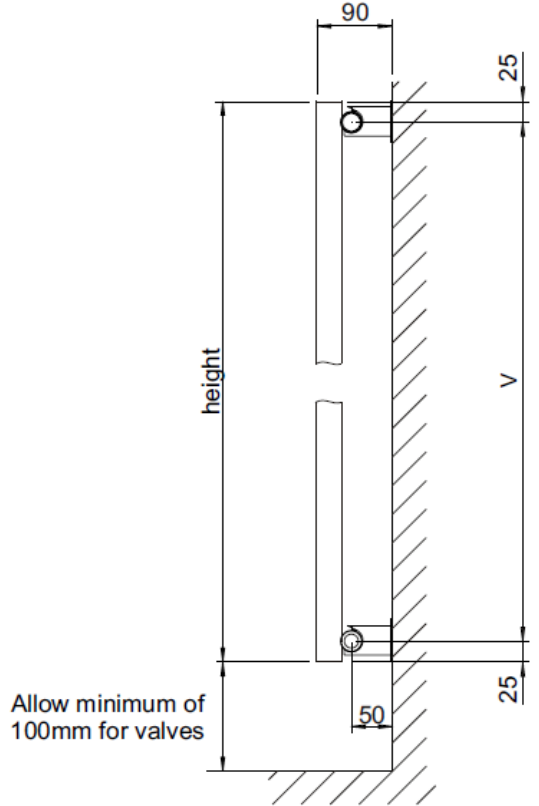
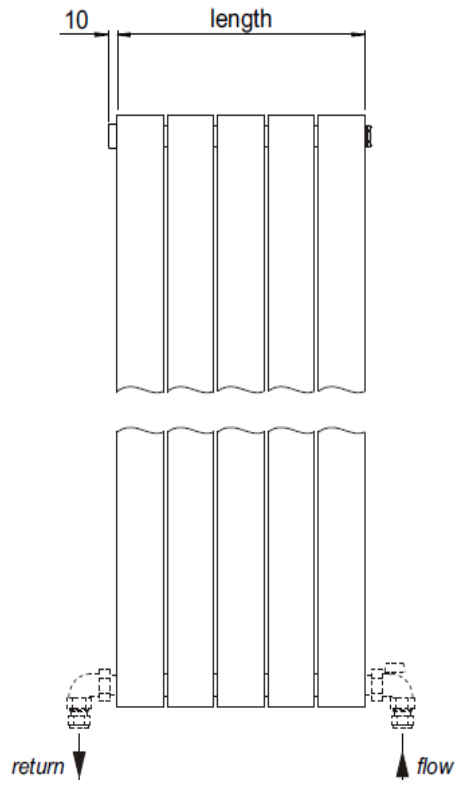




Model	Output* $\Delta T=60K$ Watts	n	Water Content litres	Weight kg	Height $\pm 2mm$	Length $\pm 2mm$	Tapping Centres $\pm 2mm$	Fixing Centres	
								V $\pm 2mm$	H
PE 60-62	659	1.29	5.8	11	600	620	n/a	550	499
PE 60-83	882	1.29	7.8	14	600	830	n/a	550	709
PE 60-104	1105	1.29	9.7	17	600	1040	n/a	550	919
PE 150-27	595	1.29	6.5	11	1500	270	n/a	1450	149
PE 150-34	744	1.29	8.1	14	1500	340	n/a	1450	219
PE 150-41	892	1.29	9.7	16	1500	410	n/a	1450	289
PE 150-48	1041	1.29	11.3	19	1500	480	n/a	1450	359
PE 180-27	705	1.29	7.8	14	1800	270	n/a	1750	149
PE 180-34	882	1.29	9.7	16	1800	340	n/a	1750	219
PE 180-41	1058	1.29	11.6	19	1800	410	n/a	1750	289
PE 180-48	1244	1.29	13.6	24	1800	480	n/a	1750	359



Petrus Technical Detail : RC/PW/01.11

[Outputs: 90/70/20 Δt 60°C EN442]

[Dimensions in millimetres]

Radiator Centre Ltd : 2 Grand Parade, Polegate, East Sussex, BN26 5HG
 www.radiatorcentre.com : info@radiatorcentre.com : Tel 01323 486848 : Fax 01323 486687