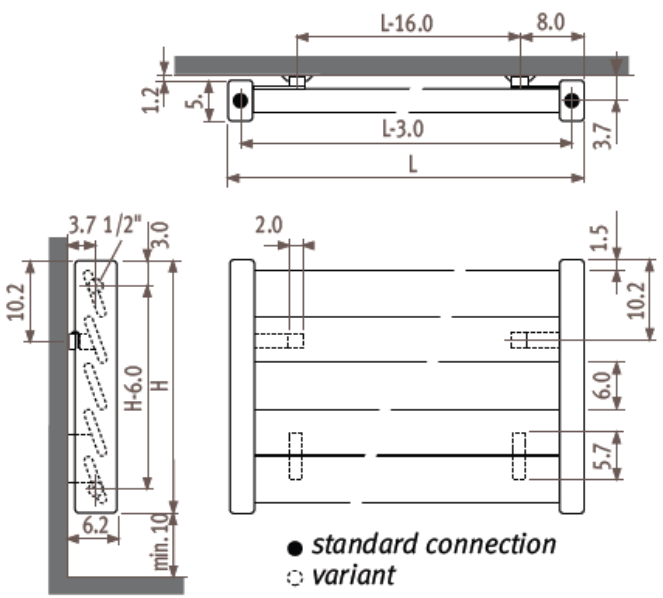
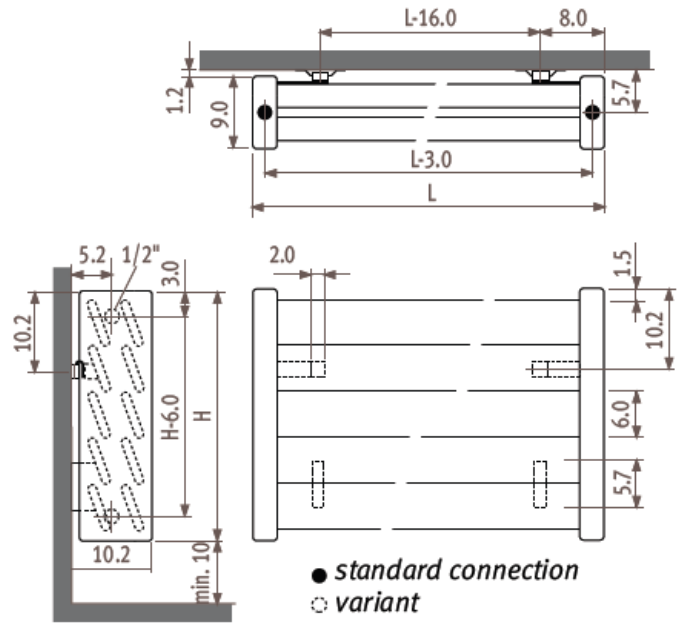


Deco Louvre_horizontal Dimensions

LHSW_Louvre Horizontal Single Wall

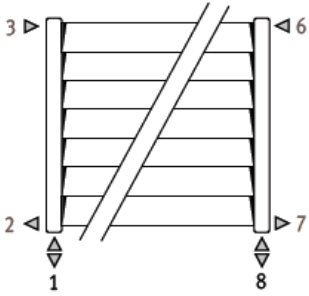


LHDW_Louvre Horizontal Double Wall



Connections

Code: 1° number = flow
2° number = return



Standard connection
Code 18
Connection 18 or 81

Side end connection
One-sided: code 32 or 67 instead of 18
Cross-over: code 37 or 62 instead of 18

Single point connection
Specify code 11 (left) or 88 (right) instead of 18.
Always use a vertical diffusion tube (Ø 10 to 12mm) of min. length of 100 mm and a reduction washer.

Deco Technical Detail : RC/PW/01.11

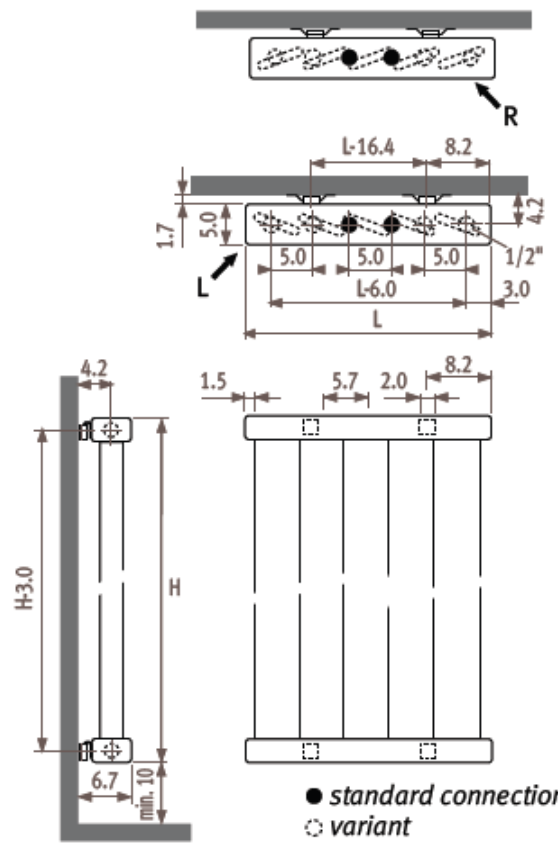
[Outputs: 90/70/20 Δt 60°C EN442]

[Dimensions in millimetres]

Deco Louvre_vertical

Dimensions

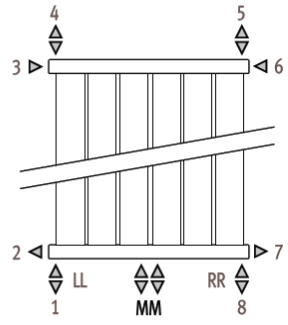
LVSW.../ L or R
Louvre Vertical Single Wall / Left or Right



● standard connection
○ variant

Connections

Code: 1° number = flow
2° number = return



Standard connection
Central connection at the bottom end, code MM, flow left or right.

Bottom end connection
Specify code 18 instead of MM. Connection 18 or 81 possible. (LL or RR is also possible)

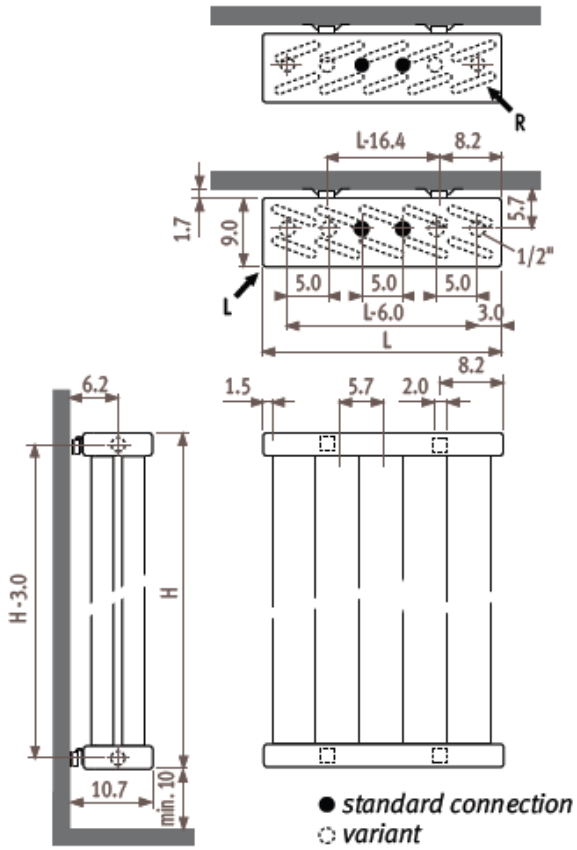
Top end connection
Specify code 45 or 54 instead of MM. Provide an air vent on the central heating tube.

Side end connection
Ordering code: specify 32, 67, 41 or 58 instead of MM. Code 32 or 67 not suitable for the perpendicular to the wall model (LVSS/LVDS).

Cross-over connection
Ordering code: specify 51 or 48 instead of MM.

Single point connection
Ordering code: specify code 22 (left) or 77 (right) instead of MM. Always use a horizontal diffusion tube (□ 10 to 12 mm) of min. length of 100 mm and a reduction washer.

LVDW.../ L or R
Louvre Vertical Double Wall / Left or Right



● standard connection
○ variant

Deco Technical Detail : RC/PW/01.11

[Outputs: 90/70/20 Δt 60°C EN442]

[Dimensions in millimetres]