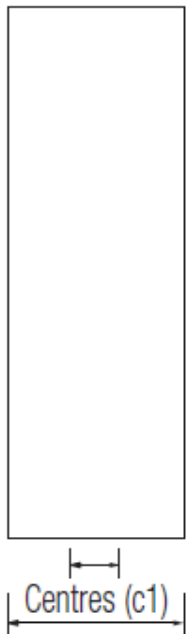


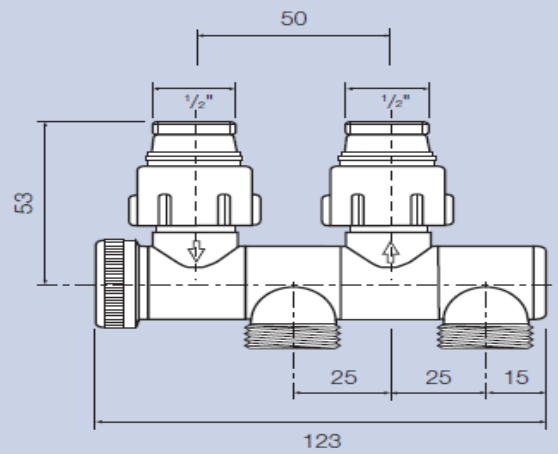
Pipe Centres = Width + valve centres
ie: Width + 80mm with Standard RadCen Valves



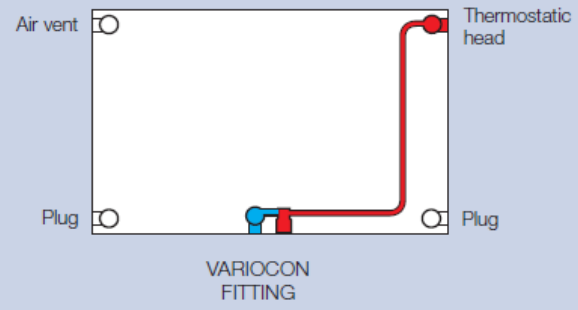
Alternative connections C1 = 50mm centres, central downward facing connections. Suitable for standard valves or Varicon Valve Set

Centres C2 =
Type 22 : 95.5mm
Type 11 : 36mm

Variocon Detail



Connection Detail Utilising Variocon Valve & Thermostatic Head.



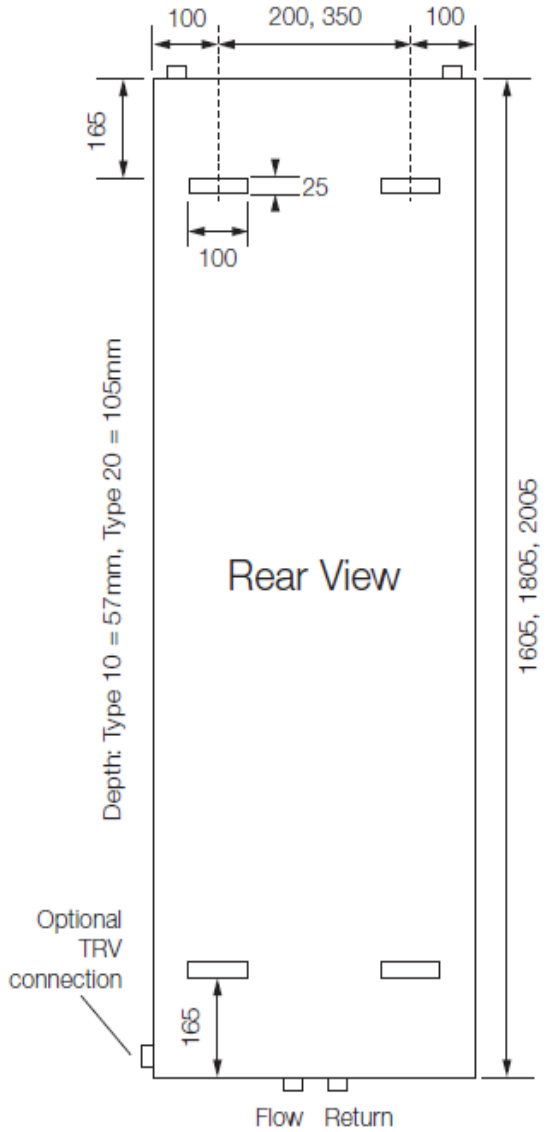
Carat V Technical Detail : RC/PW/01.11

[Outputs: 90/70/20 Δt 60°C EN442]

[Dimensions in millimetres]

Radiator Centre Ltd : 2 Grand Parade, Polegate, East Sussex, BN26 5HG
www.radiatorcentre.com : info@radiatorcentre.com : Tel 01323 486848 : Fax 01323 486687

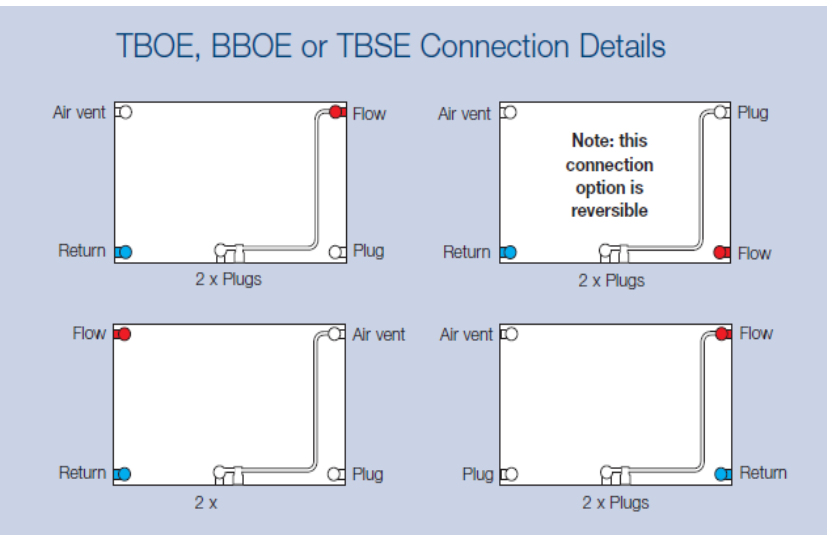
Lug Positions / Bracket Requirements



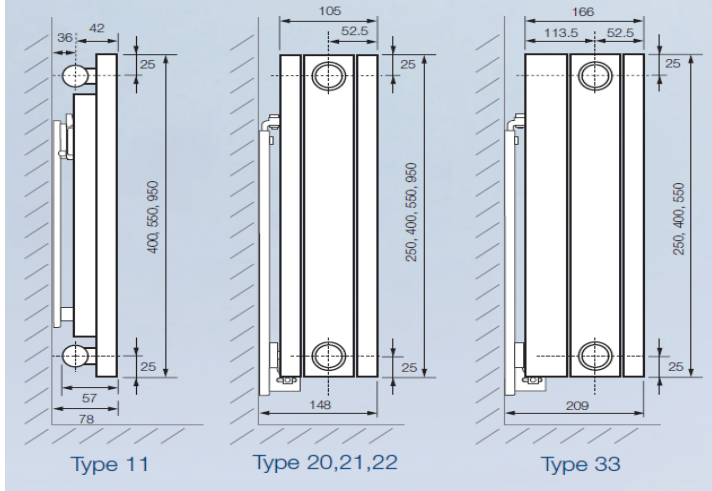
Vertical
Type 10, 20



Vertical Bracket



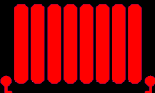
Dimensions

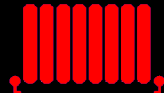


Carat V Technical Detail : RC/PW/01.11

[Outputs: 90/70/20 Δt 60°C EN442]

[Dimensions in millimetres]

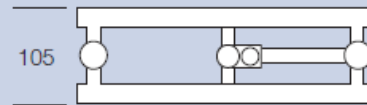




Vertical Type 10



Vertical Type 20



CODE	Height (mm)	Width (mm)	Depth (mm)	Projection (mm)	Power (watts)
------	-------------	------------	------------	-----------------	---------------

Type 10 Vertical

16040-10	1605	400	57	78	740
16055-10	1605	550	57	78	988
18040-10	1805	400	57	78	832
18055-10	1805	550	57	78	1112

CODE	Height (mm)	Width (mm)	Depth (mm)	Projection (mm)	Power (watts)
------	-------------	------------	------------	-----------------	---------------

Type 20 Vertical

16040-20	1605	400	105	148	1245
16055-20	1605	550	105	148	1620
18040-20	1805	400	105	148	1401
18055-20	1805	550	105	148	1882

[Outputs: 90/70/20 Δt 60°C EN442]

[Dimensions in millimetres]