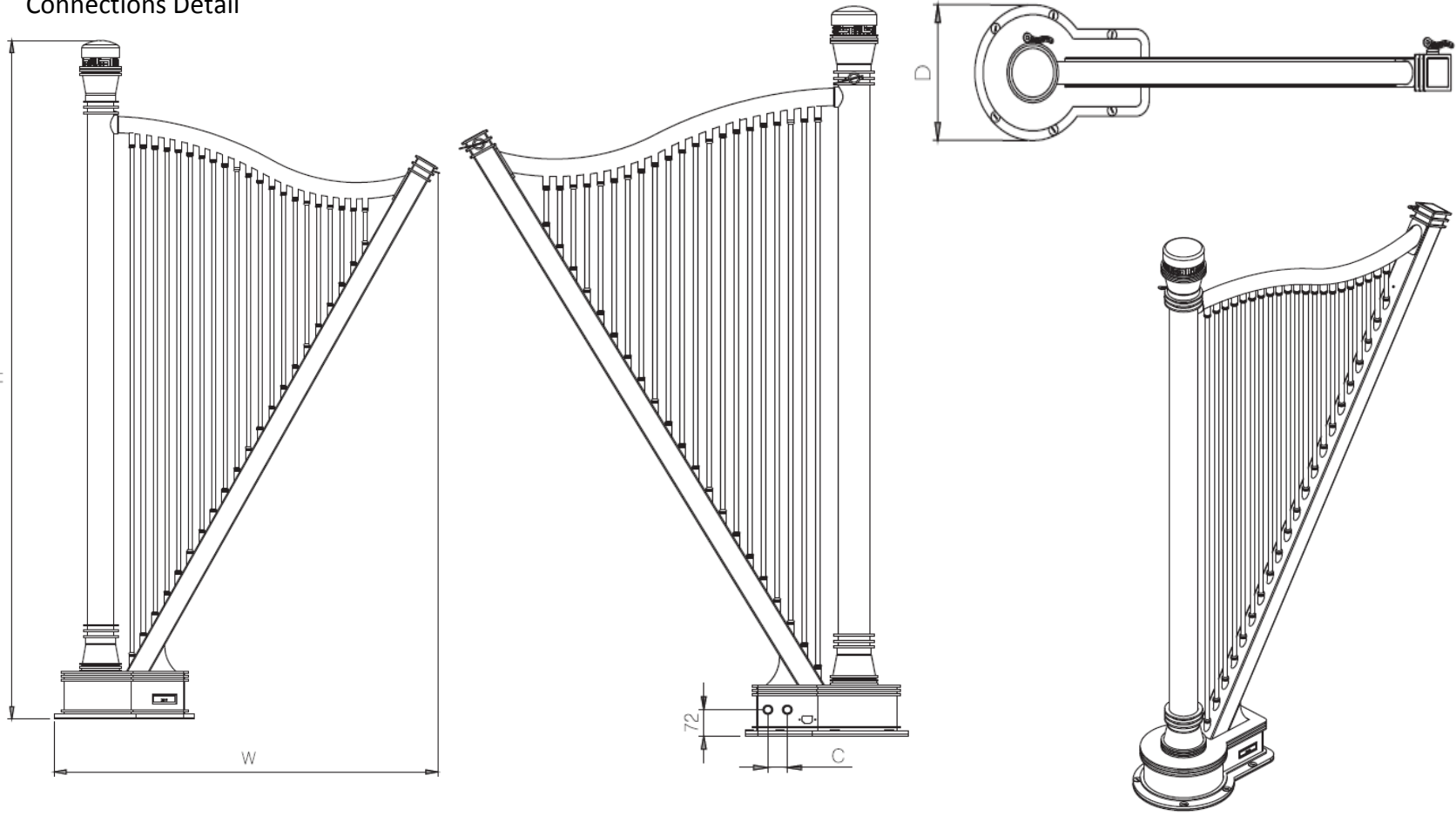




CODE	Height (mm)	Width (mm)	Depth (mm)	Centres C (mm)	Bracket Centres (L)	Bracket Centres (S)	Dry Weight (kg)	Water Content (ltrs)	Power (watts)
ADA115020002109	2000	1150	280	50	--	--	44	15.2	2066

Connections Detail



<b>wall installation</b>	<b>warranty</b>
floor standing	10 years

<b>material</b>	<b>finish</b>	<b>electric version</b>
stainless steel	satın polished	not available

max. working pressure: 8 bar  
 max. working temperature: 95°C  
 all dimensions are in mm.  
 connections 1/2"  
 digital display screen  
 customizable remote control  
 changing LED lights

Adagio Technical Detail : RC/PW/01.11

[Outputs: 90/70/20 Δt 60°C EN442]

[Dimensions in millimetres]

Radiator Centre Ltd : 2 Grand Parade, Polegate, East Sussex, BN26 5HG  
 WWW.radiatorcentre.com : info@radiatorcentre.com : Tel 01323 486848 : Fax 01323 486687